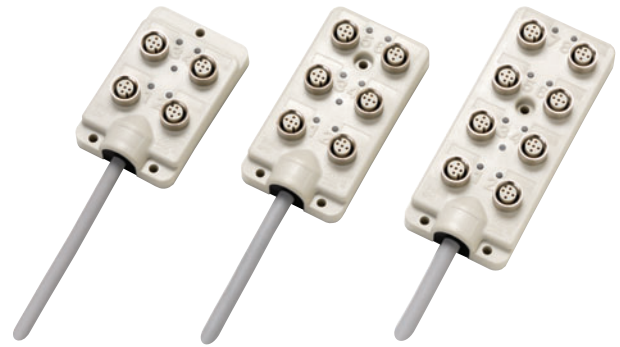



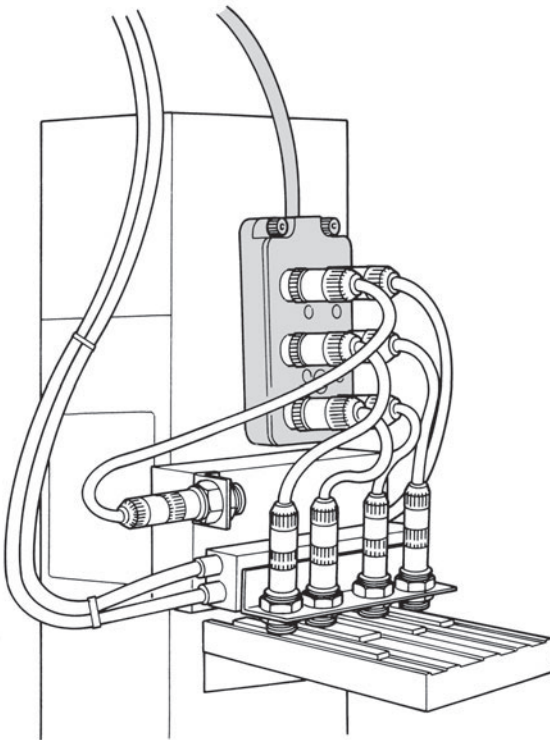
XW3B

Series Includes New Lightweight, Low-profile Connector Terminal Boxes for Use Outside of Control Boxes to Centralize Sensor I/O Connectors with Reduced Labor and Greater Environmental Resistance.

- Tough model with a significantly lower profile satisfies IP67.
- Available for Photoelectric Sensors, Proximity Sensors, and Limit Switches with Sensor I/O Connectors (M12). In addition, the rated current has been increased, a ground terminal added, and now supports connections to valves and solenoid.
- Incorporates power and operation indicators.
- Uses a single mounting method regardless of the number of ports, which ensures easy system expansion.



 Refer to *Safety Precautions* on page 4.



Ratings and Specifications

Rated current	4 A/port (signal lines) 12 A/box (power lines)
Rated voltage	10 to 30 VDC
Contact resistance	40 MΩ max. (with 100 mA max., 20 mV max.) *1
Insulation resistance	100 MΩ min. (at 500 VDC)
Dielectric strength	500 VAC for 1 min (leakage current: 1 mA max.) *2
Degree of protection	IP67 (IEC529)
Cable retention force	98 N/15 s
Insertion tolerance	200 times
Ambient operating temperature range	-25 to 70°C

*1.The contact resistance of the Connector.

*2.The dielectric strength of the Connector.

Compatible Connectors

XS2G	Connector Plug Assemblies (crimping, soldering, or screw-on)
XS2W	Connectors on cable ends (Sockets or Plugs)
XS2H	Connectors on one cable end (Plugs)

Materials and Finish

Item	Part name	Materials and finish
Connectors	Lock	Brass/nickel plated
	Contacts	Brass/nickel base, 0.4-μm gold plating
Cable	Cable	Sheath color: gray Core size: AWG18/AWG22 *
	Case	PBT resin (UL94V-0)/light gray
Case	Bushing	Rubber
	PCB	Glass-epoxy board
	Seal resin	Urethane resin

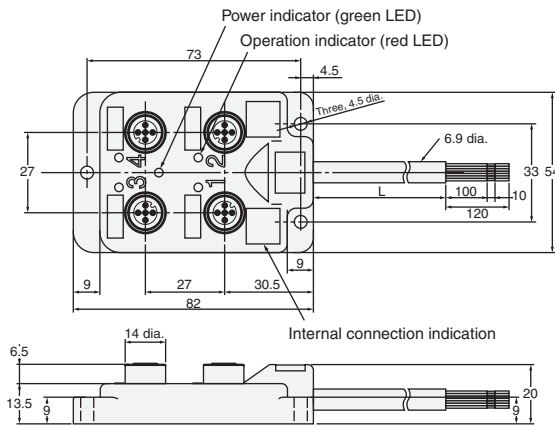
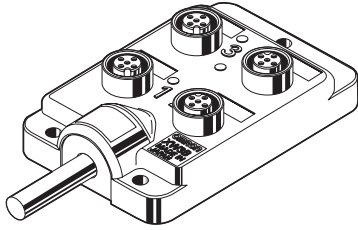
* The positive power supply, negative power supply, and ground lines are AWG18. Signal lines are AWG22.

XW3B Connector Terminal Boxes

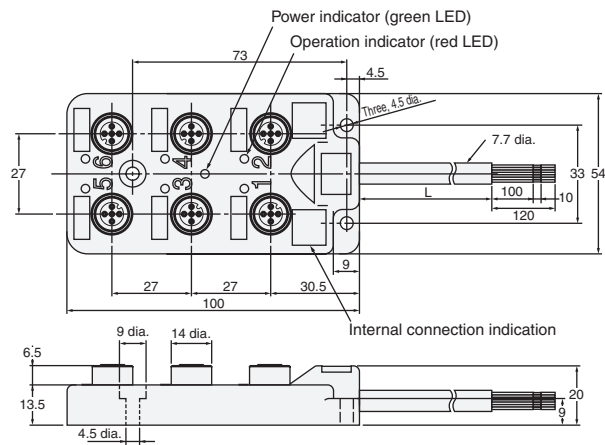
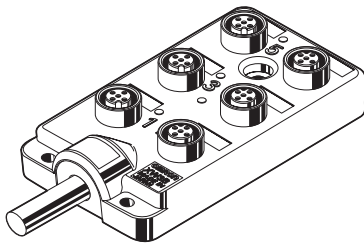
Dimensions

(Unit: mm)

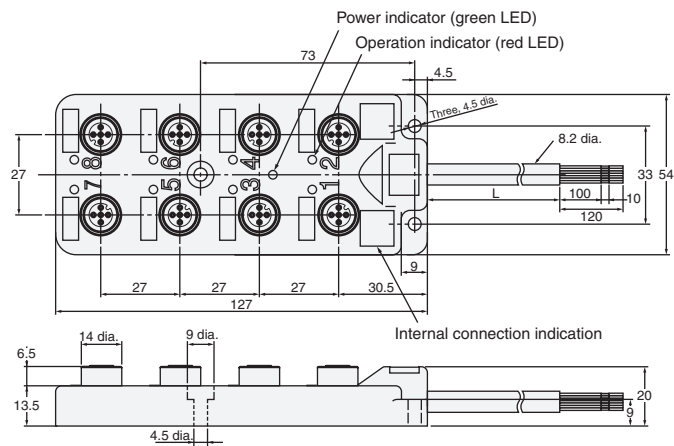
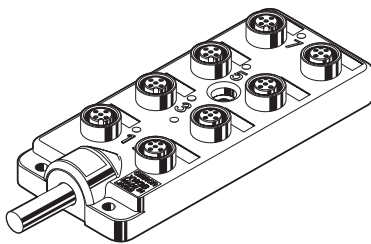
XW3B-P45□-□11 (Four Input Ports)



XW3B-P65□-□11 (Six Input Ports)



XW3B-P85□-□11 (Eight Input Ports)



Ordering Information

Sensor type and connections		3-wire DC NPN/2-wire ③-④	2-wire DC1-4/without polarity ③-④	3-wire DC PNP/2-wire DC ①-④
Actuator connections		Actuator connections ①-④	—	Actuator connections ③-④
No. of ports	Cable length (m)	Model	Model	Model
4	5	XW3B-P455-G11	XW3B-P452-G11	XW3B-P453-G11
6	5	XW3B-P655-G11	XW3B-P652-G11	XW3B-P653-G11
8	5	XW3B-P855-G11	XW3B-P852-G11	XW3B-P853-G11

Note: Here ①-④ and ③-④ are connector pin numbers.

Waterproof Cover (Sold Separately)

XS2Z-22



Model	Minimum order	Materials
XS2Z-22	50	Brass/nickel plated

Note 1. The XW3B/XW3A comes with a dust cover. Use the optional XS2Z-22 Waterproof Cover when an IP67 degree of protection is required.
2. The XS2Z-22 is mounted by screwing it in place

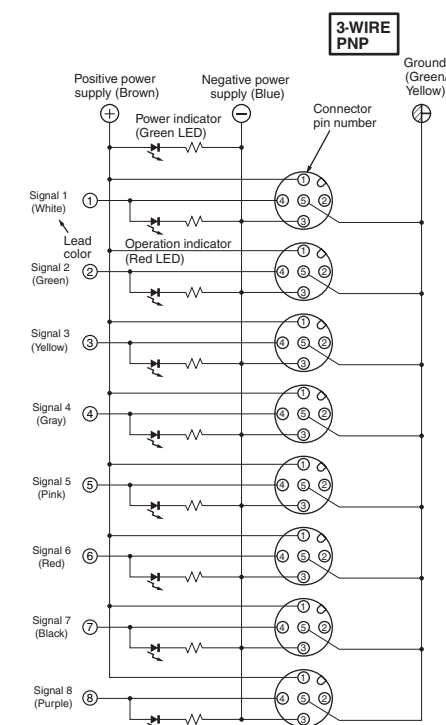
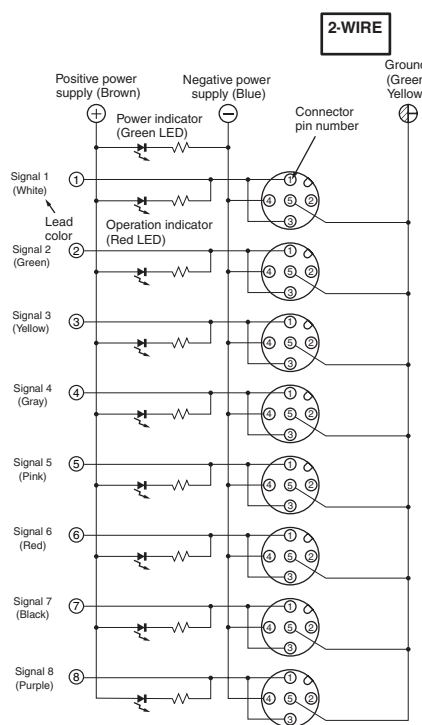
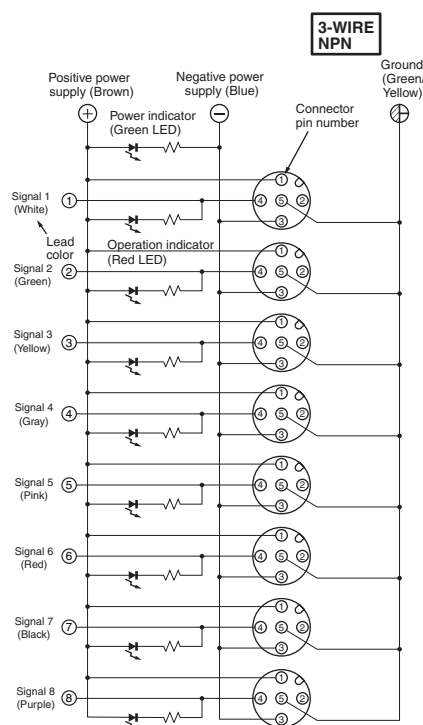
Connection Diagram

XW3B-P□55-□11 for 3-wire DC NPN, 2-wire DC (without polarity ③-④), and Actuator (①-④)

XW3B-P□52-□11 for 2-wire DC (with polarity ①-④, without polarity ③-④)

Note: Cannot be used with NPN-type Photoelectric and Proximity Sensors.
Cannot be used with Proximity Sensors with polarity 3-4.

XW3B-P□53-□11 for 3-wire DC PNP, 2-wire DC (with polarity ①-④), and Actuator (③-④)



Note 1. The above wiring diagrams are for eight-port use.

2. Figures in parentheses indicate lead colors.

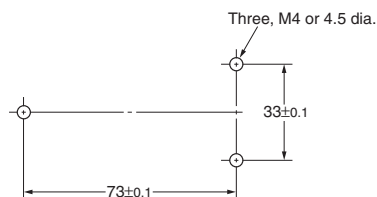
3. The expression "white/red" means white and red stripes.

4. Here ①-④ and ③-④ are pin numbers.

5. Contact numbers 5 through 8 in the above diagrams do not exist on Terminal Boxes with four inputs. The lead colors for signals 1 through 4, power supply, and ground are the same.

6. Contact numbers 7 and 8 in the above diagrams do not exist on Terminal Boxes with six inputs. The lead colors for signals 1 through 6, power supply, and ground are the same.

Mounting holes



Note: Mounting hole dimensions are always the same regardless of the number of ports.

XW3B Model Compatibility Chart

No. of ports	Cable length (m)	NPN Sensor specifications	2-wire Sensor specifications	PNP Sensor specifications
4	5	XW3B-P455-G11	XW3B-P452-G11	XW3B-P453-G11
6	5	XW3B-P655-G11	XW3B-P652-G11	XW3B-P653-G11
8	5	XW3B-P855-G11	XW3B-P852-G11	XW3B-P853-G11

Note: Consult your OMRON representative for details on alternatives other than the models shown above.

Safety Precautions

Precautions for Correct Use

Do not use the product in atmospheres or environments that exceed product ratings.

Connector Connection or Disconnection

- Before using a Sensor or Limit Switch, check this catalog and be sure that the Sensor or Limit Switch can be connected.
- Be sure to turn OFF the power supplied to the XW3B before Connector connection or disconnection.
- Do not touch the engaged side of any Connector with a wet hand.
- If a Connector is wet with water, wipe the Connector and be sure that the connector is completely dry.
- Be sure that there is no metal plate or power on the engaged side of any Connector.

Wiring Polarity Mistakes

- Be sure to wire the cable correctly according to the wiring diagram so that the blue wire will be connected to the negative power supply terminal and the brown wire will be connected to the positive power supply terminal.
- If there is any wiring mistake, the load will not operate or the operation indicator will not light.
- Be sure to connect a load to the signal lines to operate the Sensor or actuator.

Applicable Connectors

- Applicable Connectors are the XS2G (assembly type), XS2H (monoblock type), and XS2W (monoblock type).
- After a Connector is engaged, tighten the Connector securely with a mounting bracket.
- Be sure to put the XS2Z-22 Waterproof Cover or XS2Z-15 Dust Cover on any Connector that is not used.

Power Supply and Operation Indicators

- When power is supplied, the green power indicator will be lit. When the Sensors and Actuators are operating, the corresponding red operation indicators will be lit.
- Only DC Sensors and Actuators can be connected to the XW3B. Do not connect AC Sensors or Actuators.
- Connector Terminal Boxes are internally wired with 2 or 3 wires. The type is marked on the case.

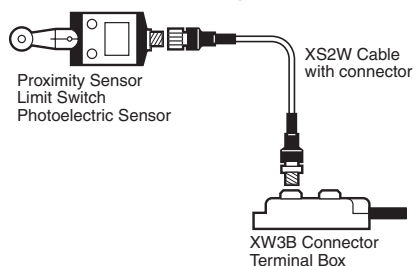
3-WIRE
NPN

3-WIRE
PNP

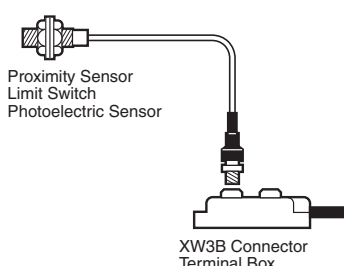
2-WIRE

Input Device Connections Using Sensor I/O Connectors

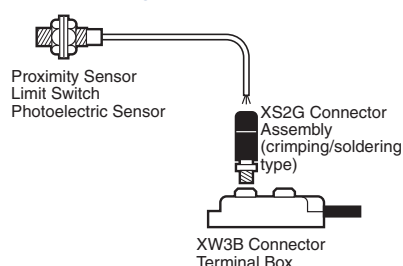
Direct Connection Type



Connector-Terminal Connection Type



Pre-wired Type



Input Devices Using Sensor I/O Connectors

Connector Terminal Box	Input devices using Sensor I/O Connectors		
XW3B-P□55-G11	2-wire DC Proximity Sensor	Connector-Terminal connection type	E2E-X3D1-M1J-T, E2E-X7D1-M1J-T, E2E-X10D1-M1J-T
		Direct connection type	E2E-X□D1-M1
	3-wire DC Proximity Sensor (NPN)	Direct connection type	E2E-X2E1-M1, E2E-X5E1-M1, E2E-X10E1-M1
			E2E-X5ME1-M1, E2E-X10ME1-M1, E2E-X18ME1-M1
	Limit Switch	Connector-Terminal connection type	WL□-□DK1EJ□ *1, WL□-□-M1GJ *1, D4C-□0□□-DK1EJ□ *2
		Direct connection type	WL□-□K13 *1, D4E-□□10N *2
XW3B-P□53-G11	3-wire DC Proximity Sensor (PNP)	Direct connection type	E2E-X2F1-M1, E2E-X5F1-M1, E2E-X10F1-M1 E2E-X5MF1-M1, E2E-X10MF1-M1, E2E-X18MF1-M1
XW3B-P□52-G11	2-wire DC Proximity Sensor	Connector-Terminal connection type	E2E-X3D1-M1GJ, E2E-X3D1-M1J-T, E2E-X7D1-M1GJ, E2E-X7D1-M1J-T, E2E-X10D1-M1GJ, E2E-X10D1-M1J-T
			E2E-X8MD1-M1GJ, E2E-X14MD1-M1GJ, E2E-X20MD1-M1GJ
		Direct connection type	E2E-X3D1-M1G, E2E-X7D1-M1G, E2E-X10D1-M1G
			E2E-X8MD1-M1G, E2E-X14MD1-M1G, E2E-X20MD1-M1G
	Limit Switch	Connector-Terminal connection type	WL□-□DK1EJ□ *1, WL□-□-M1GJ *1, D4C-□0□□-DK1EJ□ *2
		Direct connection type	WL□-□K13 *1, D4E-□□10N *2 D4CC-□□□□ *2

Note: Use the XS2G Connector assembly in combination with a pre-wired input device.

*1.Any of these models is available provided that only its SPST-NO contacts are used.

*2.Any of these models is available provided that it uses an NO connection.

Attaching the XS2G Connector to Pre-wired Input Device

Connector Terminal Box	Input devices and connector pin number					
	3-wire DC (NPN) 1: +, 3: -, 4: output	2-wire DC (with polarity) 1: +, 4: -	2-wire DC (with polarity) 3: -, 4: +	2-wire DC (with no polarity) 3, 4	Limit Switch	3-wire DC (PNP) 1: +, 3: -, 4: output
XW3B-P□55-G11	Yes	No	Yes	Yes	Yes	No
XW3B-P□53-G11	No	Yes	No	No	No	Yes
XW3B-P□52-G11	No	Yes	No	Yes	Yes	No

Connector Terminal Boxes for Input Devices with Sensor I/O Connectors

			Input device		Connector Terminal Box	
Type		Connection method	Model			
Proximity Sensors	2-wire DC	Connector-Terminal connection type	E2E-X□D1-M1J-T		XW3B-P□55-G11	
			E2E-X□D1-M1GJ		XW3B-P□52-G11	
			E2E-X□D1-M1J-T			
			E2E-X□MD1-M1GJ			
			E2EQ-X□D1-M1GJ			
			3-wire DC	NPN	Direct connection type	E2E-X□D1-M1G
	E2E-X□MD1-M1G					
	E2E-X□D1-M1					
	E2E-X□E1-M1					
	3-wire DC	PNP	Direct connection type	E2E-X□ME1-M1		XW3B-P□53-G11
E2E-X□F1-M1						
E2E-X□MF1-M1						
Limit Switches		Connector-Terminal connection type	WL□-□DK1EJ□ *1		XW3B-P□52-G11 XW3B-P□55-G11	
			WL□-□-M1J *1			
	D4C-□0□□-DK1EJ□ *2					
	Direct connection type	WL□-□K13 *1				
D4E-□□10N *2						
			D4CC-□□□□ *2		XW3B-P□52-G11	

*1.Any of these models is available provided that only its SPST-NO contacts are used.

*2.Any of these models is available provided that it uses an NO connection.

For components that are compatible with Sensor I/O Connectors, refer to the above model numbers.

Terms and Conditions Agreement

Read and understand this catalog.

Please read and understand this catalog before purchasing the products. Please consult your OMRON representative if you have any questions or comments.

Warranties.

(a) Exclusive Warranty. Omron's exclusive warranty is that the Products will be free from defects in materials and workmanship for a period of twelve months from the date of sale by Omron (or such other period expressed in writing by Omron). Omron disclaims all other warranties, express or implied.

(b) Limitations. OMRON MAKES NO WARRANTY OR REPRESENTATION, EXPRESS OR IMPLIED, ABOUT NON-INFRINGEMENT, MERCHANTABILITY OR FITNESS FOR A PARTICULAR PURPOSE OF THE PRODUCTS. BUYER ACKNOWLEDGES THAT IT ALONE HAS DETERMINED THAT THE PRODUCTS WILL SUITABLY MEET THE REQUIREMENTS OF THEIR INTENDED USE.

Omron further disclaims all warranties and responsibility of any type for claims or expenses based on infringement by the Products or otherwise of any intellectual property right. (c) Buyer Remedy. Omron's sole obligation hereunder shall be, at Omron's election, to (i) replace (in the form originally shipped with Buyer responsible for labor charges for removal or replacement thereof) the non-complying Product, (ii) repair the non-complying Product, or (iii) repay or credit Buyer an amount equal to the purchase price of the non-complying Product; provided that in no event shall Omron be responsible for warranty, repair, indemnity or any other claims or expenses regarding the Products unless Omron's analysis confirms that the Products were properly handled, stored, installed and maintained and not subject to contamination, abuse, misuse or inappropriate modification. Return of any Products by Buyer must be approved in writing by Omron before shipment. Omron Companies shall not be liable for the suitability or unsuitability or the results from the use of Products in combination with any electrical or electronic components, circuits, system assemblies or any other materials or substances or environments. Any advice, recommendations or information given orally or in writing, are not to be construed as an amendment or addition to the above warranty.

See <http://www.omron.com/global/> or contact your Omron representative for published information.

Limitation on Liability; Etc.

OMRON COMPANIES SHALL NOT BE LIABLE FOR SPECIAL, INDIRECT, INCIDENTAL, OR CONSEQUENTIAL DAMAGES, LOSS OF PROFITS OR PRODUCTION OR COMMERCIAL LOSS IN ANY WAY CONNECTED WITH THE PRODUCTS, WHETHER SUCH CLAIM IS BASED IN CONTRACT, WARRANTY, NEGLIGENCE OR STRICT LIABILITY.

Further, in no event shall liability of Omron Companies exceed the individual price of the Product on which liability is asserted.

Suitability of Use.

Omron Companies shall not be responsible for conformity with any standards, codes or regulations which apply to the combination of the Product in the Buyer's application or use of the Product. At Buyer's request, Omron will provide applicable third party certification documents identifying ratings and limitations of use which apply to the Product. This information by itself is not sufficient for a complete determination of the suitability of the Product in combination with the end product, machine, system, or other application or use. Buyer shall be solely responsible for determining appropriateness of the particular Product with respect to Buyer's application, product or system. Buyer shall take application responsibility in all cases.

NEVER USE THE PRODUCT FOR AN APPLICATION INVOLVING SERIOUS RISK TO LIFE OR PROPERTY OR IN LARGE QUANTITIES WITHOUT ENSURING THAT THE SYSTEM AS A WHOLE HAS BEEN DESIGNED TO ADDRESS THE RISKS, AND THAT THE OMRON PRODUCT(S) IS PROPERLY RATED AND INSTALLED FOR THE INTENDED USE WITHIN THE OVERALL EQUIPMENT OR SYSTEM.

Programmable Products.

Omron Companies shall not be responsible for the user's programming of a programmable Product, or any consequence thereof.

Performance Data.

Data presented in Omron Company websites, catalogs and other materials is provided as a guide for the user in determining suitability and does not constitute a warranty. It may represent the result of Omron's test conditions, and the user must correlate it to actual application requirements. Actual performance is subject to the Omron's Warranty and Limitations of Liability.

Change in Specifications.

Product specifications and accessories may be changed at any time based on improvements and other reasons. It is our practice to change part numbers when published ratings or features are changed, or when significant construction changes are made. However, some specifications of the Product may be changed without any notice. When in doubt, special part numbers may be assigned to fix or establish key specifications for your application. Please consult with your Omron's representative at any time to confirm actual specifications of purchased Product.

Errors and Omissions.

Information presented by Omron Companies has been checked and is believed to be accurate; however, no responsibility is assumed for clerical, typographical or proofreading errors or omissions.