

EN Instruction Manual

Thank you for purchasing the OMRON E5CN-U Digital Temperature Controller. This manual describes the functions, performance, and application methods needed for optimum use of the product.

OMRON CORPORATION
©All Rights Reserved

For detailed operating instructions, please refer to the E5CN/AN/EN User's Manual (Cat. No.H134).

Safety Precautions

Key to Warning Symbols

CAUTION Indicates a potentially hazardous situation which, if not avoided, is likely to result in minor or moderate injury or property damage.

Warning Symbols

CAUTION

Do not touch the terminals while power is being supplied. Do not allow pieces of metal, wire clippings, or fine metallic shavings or fillings from installation to enter the product.

Suitability for Use

OMRON shall not be responsible for conformity with any standards, codes, or regulations that apply to the combination of the products in the customer's application or use of the product.

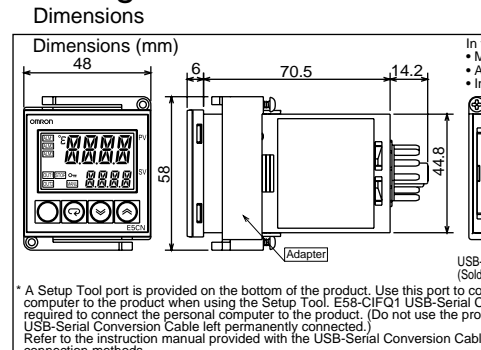
Precautions for Safe Use

- Be sure to observe the following precautions to prevent operation failure, malfunction, or adverse effects on the performance and functions of the product. (1) The product is designed for indoor use only.

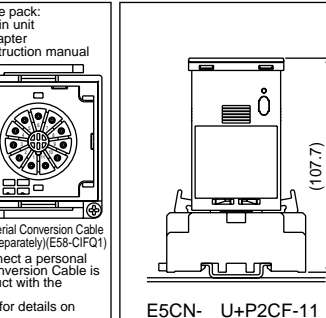
Specifications

Table with 2 columns: Specification (Power supply voltage, Operating frequency, etc.) and Value (100-240VAC type, 24V AC/DC type, etc.)

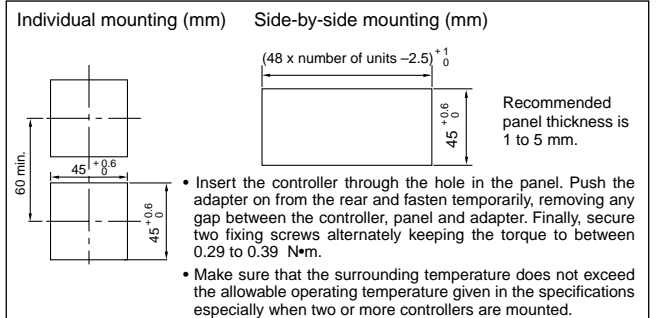
Wiring



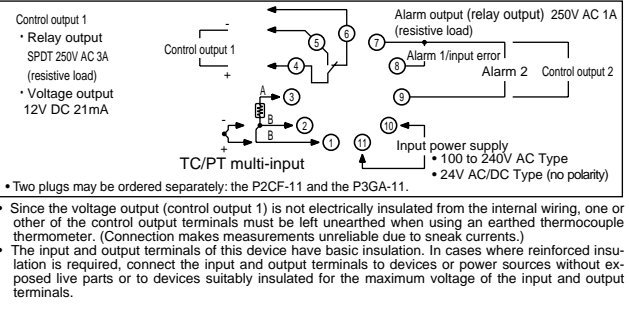
Surface mounting



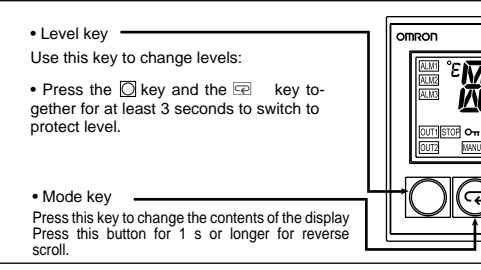
Installation



Connections



Names of parts on front panel



No.1 display Process value or set data symbol. No.2 display Set point, set data read-out value or changed input value.

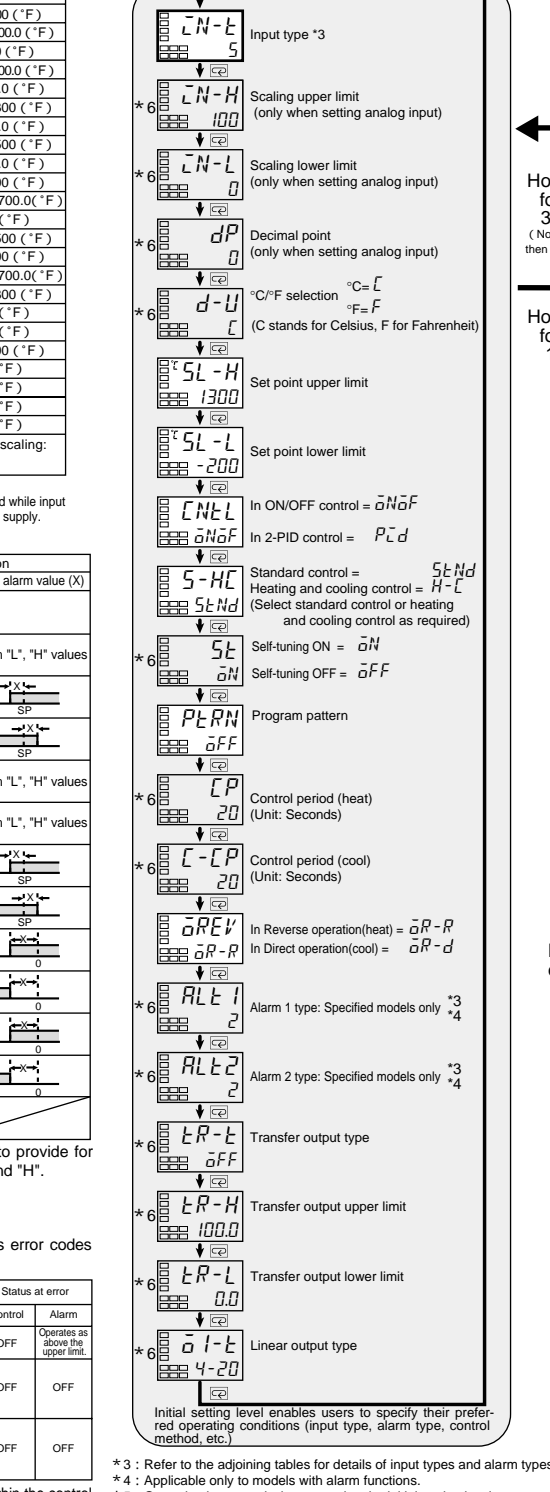
Operation indicators ALM1: Alarm 1 indicator. ALM2: Alarm 2 indicator. ALM3: Alarm 3 indicator.

Temperature unit The temperature unit is displayed when the displayed value is a temperature.

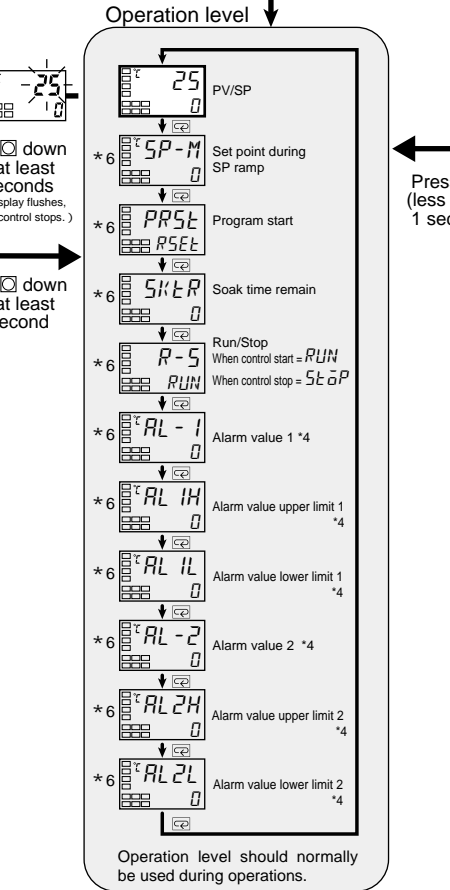
Operation menu

Table of input types: Platinum resistance thermometer, Thermocouple, Infrared, Thermosensor, Analog input.

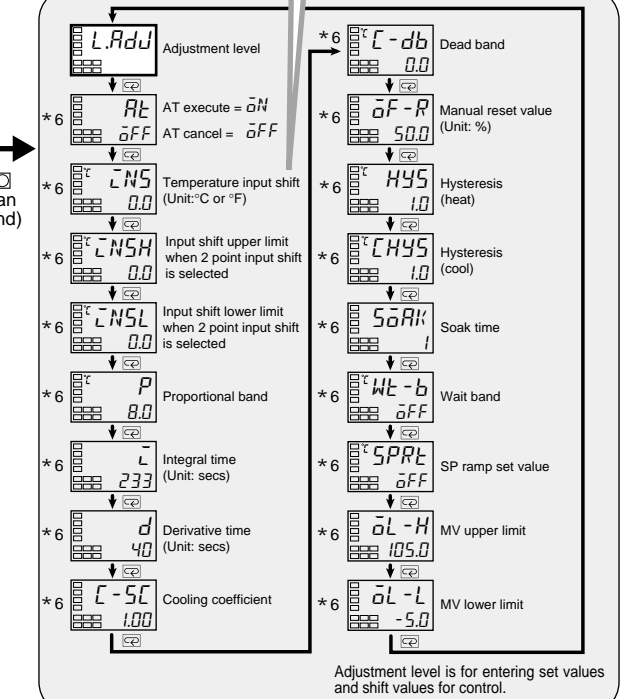
Initial setting level



POWER ON



Adjustment level



Alarms

Table of alarm settings: Setting, Alarm type, Alarm output function (Positive/negative alarm value).

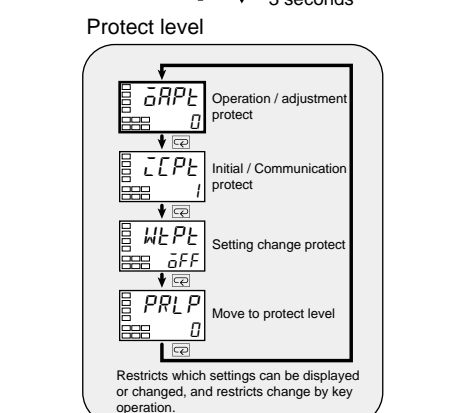
Error display (trouble shooting) When an error has occurred, the No.1 display alternately indicates error codes together with the current display item.

Table of error codes: No.1 display, Meaning, Action, Status at error (Control/Alarm).

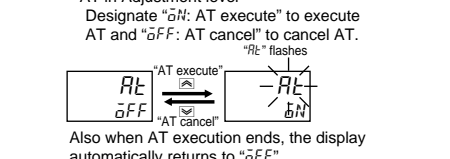
Other functions

In addition to the aforementioned, there are alarm hysteresis, automatic return of display mode and others in the advanced setting level.

Protect level



AT (auto-tuning)



Protection function

Protection function, to prevent unwanted settings, restricts the setting items to be used or designates if operation of the key is valid or invalid.

Operation / Adjustment protection

Table showing relationship between settings and protect limits related to Operation level and Adjustment level.

Initial setting/Communications protection

Table showing relationship between settings and protect limits related to Initial setting level and Communications setting level.

Setting change protection

Setting changes by key operation are restricted. OFF "OFF": Setting can be changed by key operation.

OMRON ELECTRONICS, LLC. ONE COMMERCE DRIVE SCHAUMBURG, IL 60173-5302 U.S.A. Phone 1-847-843-7900 FAX:1-847-843-7787

